

Pneumatic Robots



Small but Powerful

Technology working for you.

Wittmann
world of innovation

Innovative 7 Series Robots

The W710 series are the perfect robots for smaller molding machines up to 200 t.

These robots are designed with a fixed kick stroke beam. The rugged, specially reinforced aluminum extrusion is directly attached to the main carriage. There are no parts sticking out towards the injection unit. Even on small molding machines there is no collision with the hopper. The rugged lightweight vertical arm is guided by high capacity linear bearings to allow fast movement with minimum vibration for precise insert and removal jobs.



W710

W710(S) One-Axis Motor Robots

"Pick and Place" Robots Providing High Performance at Affordable Prices

- Z-axis**
 Motor driven by asynchronous servo motors for precise control of multiple stopping positions on traverse axis.
- Y-axis and X-axis**
 - Rugged lightweight aluminum extrusion to allow fast movement.
 - Pneumatically driven with large hydraulic shock absorbers provide smooth and shock dampening stops.
- Model T**
 This pick and place robot with telescopic Y-axis is specially designed for low ceiling height.
- Model S (optional)**
 Double arm robots are designed particularly for three-plate mold applications.

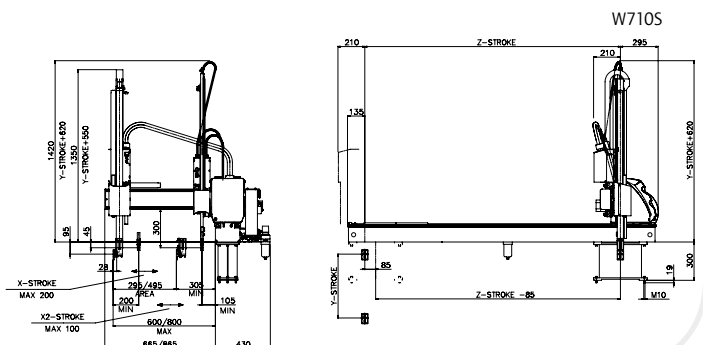
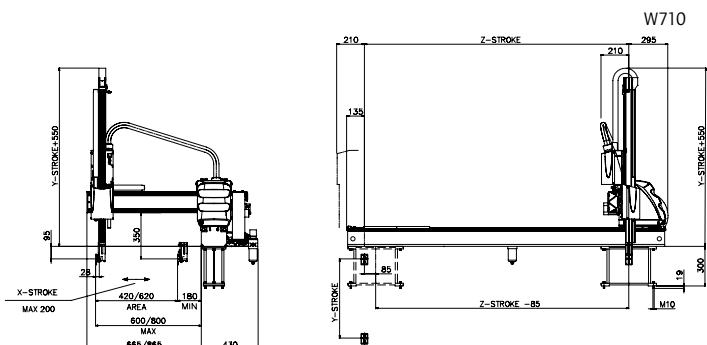


W710S

Measures mm (inches)	Vertical Stroke		Kick-Stroke		Horizontal Stroke
	Y-stroke	Y2-stroke	Reach	X/X2-stroke	Z-stroke
W710 – 800	800	–	600	200/–	1,500
W710 – 1000	1,000	–	600	200/–	1,500
W710 – 1000L	1,000	–	800	200/–	2,000
W710 – 1200	1,200	–	800	200/–	2,000
W710S – 800	800	850	600	200/100	1,500
W710S – 1000	1,000	1,050	600	200/100	1,500
W710S – 1000L	1,000	1,050	800	200/100	2,000
W710S – 1200	1,200	1,250	800	200/100	2,000
W710T – 800	800	–	600	200/–	1,500
W710T – 1000	1,000	–	600	200/–	1,500
W710T – 1000L	1,000	–	800	200/–	2,000
W710TS – 800	800	850	600	200/100	1,500
W710TS – 1000	1,000	1,050	600	200/100	1,500
W710TS – 1000L	1,000	1,050	800	200/100	2,000



W710TS





Technology working for you.

WITTMANN Kunststoffgeräte GmbH

Lichtblaustrasse 10

1220 Vienna | Austria

Tel.: +43 1 250 39 0 | Fax: +43 1 259 71 70

info.at@wittmann-group.com

www.wittmann-group.com